


# High Frequency On Grid Solar Inverter

## PH5000TM Series (7KW-15KW)



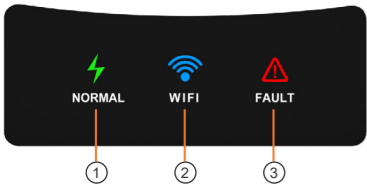
### Features

- Wide input voltage range from 160V-1000Vdc
- IP65 protection degree
- Integrated DC switch
- DSP controller
- The maximum efficiency is 98.3%
- Multi MPP controller
- WIFI monitoring standard;
- Easy installation

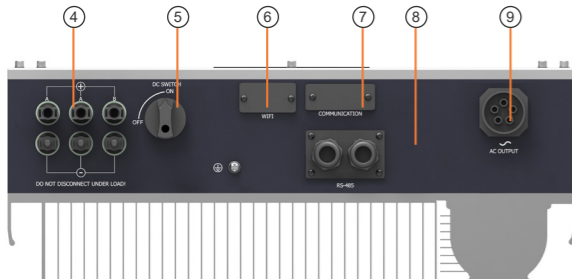
### Introduction

It is used to convert the DC generated by photovoltaic panels into AC and send it to the grid in a three-phase manner.

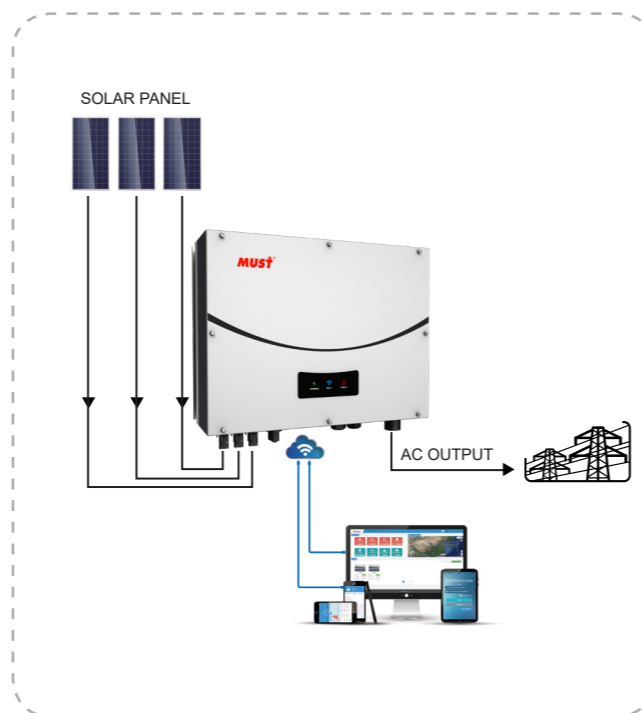
### Back panel printing description



1. Operation normal (Green)
2. WIFI communication (Blue)
3. Error display (Red)
4. PV input
5. DC switch
6. WIFI connector
7. USB
8. RS485
9. AC output



### Solar system connection



### Specification

MODEL		PH50-7000TM	PH50-8000TM	PH50-9000TM	PH50-10000TM	PH50-11000TM	PH50-12000TM	PH50-13000TM	PH50-15000TM
Output (AC)	Rated AC output power	7000W	8000W	9000W	10000W	11000W	12000W	13000W	15000W
	Max.AC apparent power	7700VA	8800VA	9900VA	11000VA	12100VA	13200VA	14200VA	16500VA
	Max.output current	11.1A	12.7A	14.3A	15.9A	17.5A	19A	20.6A	23.8A
	Nominal AC Voltage	230V \ 400V							
	AC Voltage range	184Vac-300Vac							
	AC grid frequency range	50±5Hz							
		60±5Hz							
	Power factor at Rated power	1							
	Adjustable displacement power factor	0.8leading...0.8lagging							
	THDi @ Full load%THDv <1%	< 3%							
AC grid connection type	3W+N+PE								
Input Data	Max.DC power	8400W	9600W	10800W	12000W	132000W	14400W	15600W	18000W
	Max.DC voltage	1000V							
	Start voltage	160V							
	PV voltage range	160V-1000V							
	MPP voltage rang	200V-1000V							
	Full load voltage range	295V-850V	335V-850V	375V-850V	416V-850V	458V-850V	420V-850V	450V-850V	520V-850V
	Max.input current	12.5A/12.5A				20A/10A			
	Number of independent MPP trackers / strings per MPP tracker	2/1				2/2+1			
	DC connection	H4 \ MC4							
	EFFICIENCY	Max.efficiency	98.3%				98.4%		
Euro weighted efficiency		97.5%	97.8%	98%					
MPPT efficiency		99.5%							
Protection devices		DC reverse polarity protection, Output over current protection, Output overvoltage protection-varistor, DC reverse polarity protection, DC switch rating foreach MPPT(opt.), Ground fault monitoring, Integrated all-pole sensitive leakage current monitoring unit							
GENERAL DATA FEATURES	Dimension(W/H/D)(mm)	500*428*200							
	Weight (kg)	22				24			
	Operation temperature range	-25°C -+60°C with derating above 45°C							
	Noise emission(typical)	≤35dB(A)							
	Altitude	3000m							
	Self-consumption night	< 1W							
	Topology	transformerless							
	Cooling concept	Natural							
	Environmental protection Rating	Ip65							
	Relative humidity	100%							
Features	AC connection	connector							
	Display	LED							
	Interfaces:USB/WI-FI/GPRS/ RS485	YES \ YES \ Opt \ YES							
	Warranty	Standard 5 years/10 years□opt.)							
	Certificates and approvals	CE \ IEC62109							